



TEMPERATURE

100 & 1000 OHM PLATINUM CURVE AVERAGING SENSORS ST-AV81H, ST-AV85H

DESCRIPTION

The Minco continuous-resistance element 100Ω and 1000Ω Platinum Curve Averaging RTD Sensors provide accurate sensing of duct temperatures when a large area must be covered. They average temperatures over their entire length and terminate in a weather resistant housing. The averaging sensors use elements that closely match platinum resistance/temperature characteristics over the specified range. The sensors have copper cases that are bendable to a radius of 4" (10.2 cm), and they can crisscross a duct or plenum to average out temperature stratification.

FEATURES

- Continuous averaging
- Flexible copper probe
- 12' (3.7m), 24' (7.3 m) or 50' (15.2 m) lengths
- Weather resistant box
- 100 or 1,000 ohm 385 sensor



CC-1G-K

MINCO

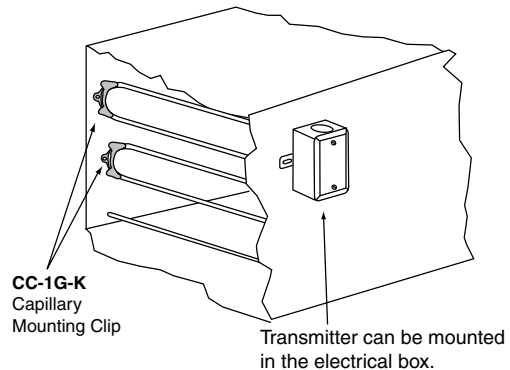


ST-AV85H

SPECIFICATIONS

Accuracy	±0.27°F (±0.15°C)
Sensor Type	
Type 81	100Ω ±0.25% @ 32°F (0°C)
Type 85	1000Ω ±0.25% @ 32°F (0°C)
Temperature Range	-40° to 240°F (-40° to 115°C)
Sensitivity	
Type 81	0.217Ω/°F @ 32°F (0°C)
Type 85	2.17Ω/°F @ 32°F (0°C)
Sensor Length/Weight	
	12 ft (3.7m); 1.3 lb (0.59 Kg)
	24 ft (7.3m); 1.95 lb (0.88 Kg)
	50 ft (15.24m); 3.6 lb (1.6 Kg)
Element Casing	Copper 0.19" dia (0.48 cm)
Enclosure Rating	NEMA 4, Metal weather resistant
Wiring Terminations	22 AWG, Teflon insulated
Warranty	3 years

TYPICAL APPLICATION



CC-1G-K
Capillary
Mounting Clip

Transmitter can be mounted
in the electrical box.

ORDERING INFORMATION

MODEL	DESCRIPTION
ST-AV81H	100Ω averaging duct sensor 24' (7.3m), 385 platinum curve
ST-AV81H12	100Ω averaging duct sensor 12' (3.7m), 385 platinum curve
ST-AV81H50	100Ω averaging duct sensor 50' (15.2m), 385 platinum curve
ST-AV85H	1000Ω averaging sensor 24' (7.3m), 385 platinum curve
ST-AV85H12	1000Ω averaging sensor 12' (3.7m), 385 platinum curve
ST-AV85H50	1000Ω averaging sensor 50' (15.2m), 385 platinum curve
XZ	Three-wire option (100Ω sensor only; Type 81)

ST-AV81H

Example: ST-AV81H 100Ω 385 platinum averaging duct sensor with 24' (7.3m) element

RELATED PRODUCTS

CC-1G-K	Plastic capillary and sensor holder mounting clip
M-648-K	Copper-clad capillary mounting clip
T81PNR Series	Temperature transmitter for type 81, 385 platinum curve sensors, cover mounted
T81U Series	Temperature transmitter for type 81, 385 platinum curve sensor, track mounted
T85PNR Series	Temperature transmitter for type 85, 385 platinum curve sensors, cover mounted
T85U Series	Temperature transmitter for type 85, 385 platinum curve sensor, track mounted